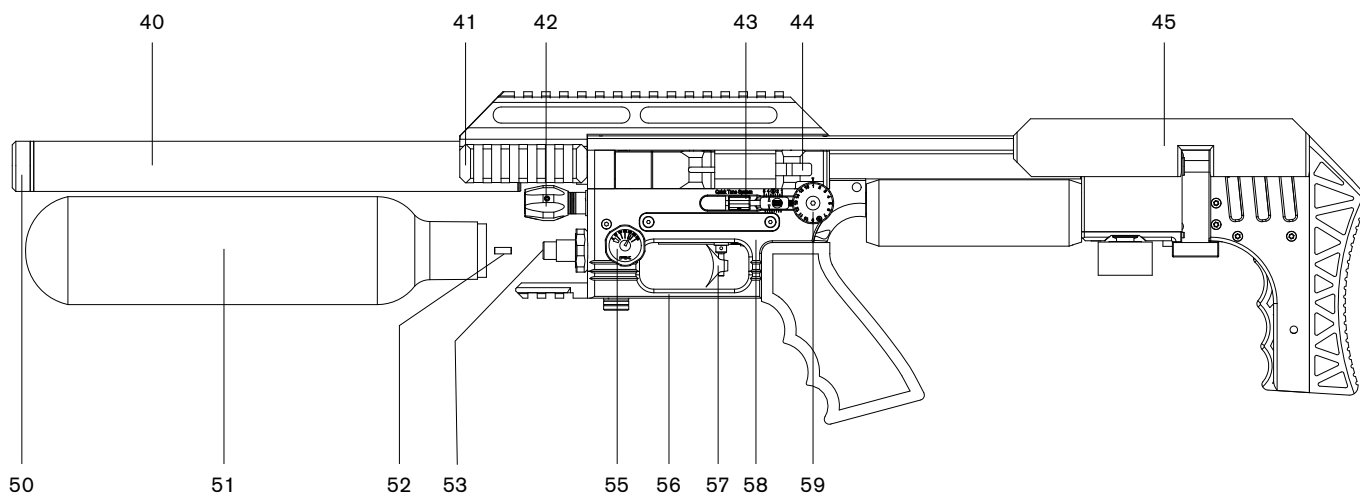


- |   |                                     |   |
|---|-------------------------------------|---|
| 1. Nabíjecí jehla                         | 21. Gumová botka                    | 29. Rukoje                                |
| 2. Závěr                                  | 22. Kolečko pro uvolnění botky      | 30. Pojistka                              |
| 3. Upevnění hlavně                        | 23. Prostor pro zásobník            | 31. Manometr tlaku v kartuši              |
| 4. Upevnění nabíjecí páky                 | 24. Zásobník                        | 32. Plnicí pin                            |
| 5.  | 25. Pojistka zásobníku              | 33. Rychlospojka                          |
| 6. Nabíjecí páka                          | 26. Manometr od 2. regulátoru tlaku | 34. Prachový kryt plnicího pinu           |
| 7. Montážní lišta                         | 27. Power Plenum 720                | 35. 22mm lišta pro upevnění příslušenství |
| 8. Pravá montážní lišta pro příslušenství | 28. Šroub rukojeti                  |   |



- |   |                         |                                     |
|---|-------------------------|-------------------------------------|
| 40. Hlave                                 | 45. Lícnice             | 55. Manometr od 1. regulátoru tlaku |
| 41. 22mm lišta pro upevnění příslušenství | 50. Závit pro moderátor | 56. Lučič                           |
| 42. Nastavení ventilu                     | 51. Kartuše             | 57. Spouš                           |
| 43. Nastavení výkonu (micro)              | 52. Valve Pin Bushing   | 58. 2. regulátor tlaku              |
| 44. Upevnění nabíjecí páky                | 53. 1. regulátor tlaku  | 59. Nastavení výkonu (macro)        |

# PLNĚNÍ

**Maximální tlak je 300 BAR. S puškou je dodávána rychlospojka se závitem 1/8".**

Sundejte protiprachový kryt, nacvakněte rychlospojku (která je propojená s plnicím zařízením) na plnicí pin. Hodnotu tlaku kontrolujte pečlivě na manometru vzduchovky a především plnicího zařízení. Natlakujte vzduchovku na požadovaný tlak. Odvzdušněte plnicí hadici a odpojte plnicí zařízení od pinu vzduchovky. Pro správné fungování musí být tlak v kartuši vyšší než tlak nastavený na regulátoru. Nepoužívejte zbraň, pokud je tlak v kartuši menší, než tlak nastavený na regulátoru.

**VAROVÁNÍ Používejte pouze suchý vzduch! V žádném případě nepoužívejte k plnění kartuše kyslík nebo jiný plyn! To může mít za následek vážné zranění nebo smrt!**

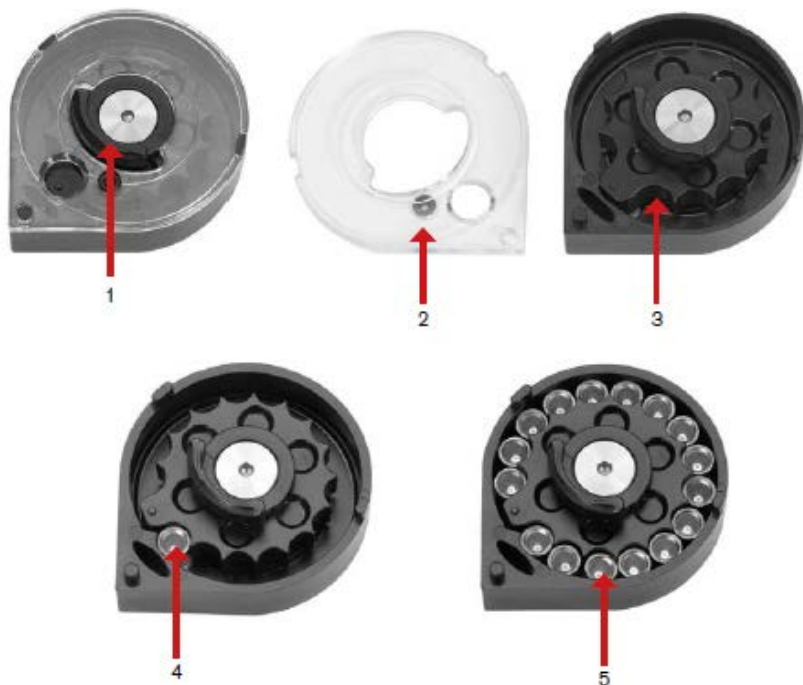


## Jak nabíjet zásobník

Chcete-li vložit zásobník Side-Shot, začněte otáčením středového zámku víka (1), dokud nebudete moci víko sejmout (2). Otáčejte vnitřním zásobníkem na diabolky (3) proti směru hodinových ručiček, dokud nenarazíte na doraz.

Vložte diabolky do první polohy (4) hlavičkou napřed, přičemž držte prst pod otvorem, abyste diabolku zastavili a uvolněte zásobník, protože vložená diabolka bude držet zásobník na místě.

Pokračujte v umísťování zbytku diabolek HLAVIČKOU napřed a ujistěte se, že všechny diabolky správně zapadly do svého otvoru (5). Jakmile je zásobník naplněn, vraťte víko na místo a otočte zámek víka, dokud nebude v opačné poloze výřezu. Naše zbraně jsou testovány a vyladěny v továrně pro nejlepší výkon a přesnost s JSB diabolkami.



## 7 How to use

### 7.1 Inserting magazine

Prepare the rifle for use by pulling rearward on the cocking lever (6) until it clicks in the rearward position.

Set the safety (30) to "Safe" position.

Barrel breech (2) has a protruding edge which match the slot in the magazine (24).

Carefully insert the magazine in the magazine slot (23).

Press firmly to ensure the magazine is completely installed.

You will hear a click when the locking mechanism (25) locks in position.

Closing the cocking lever will now load a pellet into the barrel and make the rifle cocked and ready for use.

Make sure that side lever is completely closed in the front position, failure to do so might result in damaged cocking mechanism. This kind of abuse is not covered by warranty. Be sure to keep the rifle pointed in a safe direction throughout this entire procedure.

**Note** Each cocking enters a pellet into the barrel so if not fired when cocked you will end up with more than one pellet in the barrel.

One or two pellets in the barrel is usually manageable and possible to shoot out depending on power but more than two might clog up the barrel making it impossible to use.

If you want to end your shooting session with half used magazine It's preferred that you at least fire the round in your chamber and then remove the magazine to make sure you do not store the gun with a pellet in the breech.

### 7.2 Removal of Magazine

Put the safety (30) in "Safe" position and then pull the cocking lever (6) rearwards.

Pull the locking mechanism (25) rearwards while you pull the magazine out of the slot.

Un-cock the rifle before putting it to side or leave it with open sidelever.

### 7.3 Zeroing the scope

When you feel you have a grip of the total function you can move on to dial in your scope with support from the scope manual.

## 7.4 Power Settings / Quick Tune System

The power setting for this gun is from the factory set for FX pellets or JSB Exact pellets of the caliber of gun you have purchased.

To get the best out of the specific pellet you intend to use you might want to fine tune the setting of the gun.

The standard liner that comes with the gun is mainly for pellets and hybrid slugs.

If you are going to use heavy ammunition you will achieve the best result out of a liner that is specifically made for that purpose. Contact your dealer for more info.

Before you make any alternations, it is important that you write down the current setting so you always can go back to the factory settings. See page 26 for your own notes.

### **There is no magic formula on how to tune but there are some basic guidelines:**

For diabolo pellets you can aim for somewhere around 840 - 940ft/s as this is probably were you have the best chance of finding the best accuracy.

Higher power does not mean better accuracy.

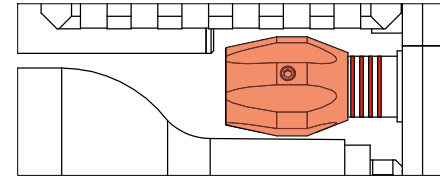
Shorter barrels require higher pressure than longer barrels.

Too much hammer spring tension combined with low regulator pressure might result in high air consumption.

Setting the power on the Impact can be done in four ways, Three of them are easily adjusted without tools while shooting. These three will be explained in this section. Fourth adjuster (regulator pressure) requires tools and will be explained in section 8.1.

### **Why would I want to alter current power settings?**

- Lower power to achieve less penetration
- Increase power for higher penetration or longer distance
- Lower power to get less air consumption when shooting short distance
- Fine tune for better accuracy (sweet spot)
- Changed caliber, liner and/or ammunition.



## 7.5 Valve Adjuster (42)

CLOCKWISE will reduce airflow and thus power.

COUNTER - CLOCKWISE will increase airflow and thus power.

This will allow you to fine tune the valve flow and air efficiency.

### **Default setting (max) depending on version**

4 indication groves = Set one and a half turn out from last line.

6 indication groves = Set on the last line.





## 7.6 Rear Macro Power Adjuster (59) – Hammer-spring tension adjuster

The Rear Macro Power Adjuster (spring tension hammer wheel) is a quick way to tune the power and accuracy of your rifle and has 16 fixed levels.

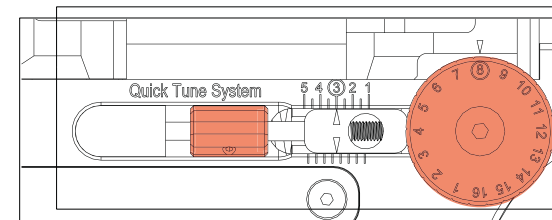
**Note** The rifle must be un-cocked when you turn the power adjuster.

1 is on the low side and 16 is on the high side of spring tension.

High spring tension gives more power but uses more air.

**Note** for best results the hammer tension needs to work in coordinated effort with the appropriate regulator pressure as described further in section 8.1

**NOTICE** – NEVER adjust the power when rifle is cocked. Doing so might damage the Rear Macro Power Adjuster and will void your warranty!



## 7.7 Micro Power Adjuster (43) – Fine Tune Barrel Roller

The Rear Macro Power Adjuster (or hammer-spring tension adjuster wheel) is supported by the Micro Power Adjuster. This barrel roller on the side of the rifle gives you the possibility to fine tune with precision. It is easy to operate by rolling the wheel with your thumb and has marked grooves and digits to help you navigate.

Towards 5 is increasing power and towards 1 is decreasing power.

**Note** At the lowest setting 1 on the Rear Macro Power Adjuster you will not be able to set the Micro Power Adjuster all the way to 5 (max)

At the highest setting of 16 on the Rear Macro Power Adjuster you will not be able to set the Micro Power Adjuster all the way to 1 (min).

There are circles on the scale of both hammer-spring adjusters. We recommended to use these as starting points for re-tuning after changing projectile, caliber, or regulator pressure.

## 8 Adjustments

### 8.1 Dual Externally Adjustable AMP Regulators

The first regulator (53 and 55) pre-reduces the pressure in preparation for the second Regulator (58 and 26). This provides less stress on the second regulator and achieves a constant output pressure with less deviations.

The secondary regulator sets the working output pressure for the rifle.

#### Important!

The first regulator is set from factory and should in most cases not be alternated.

#### Tools required

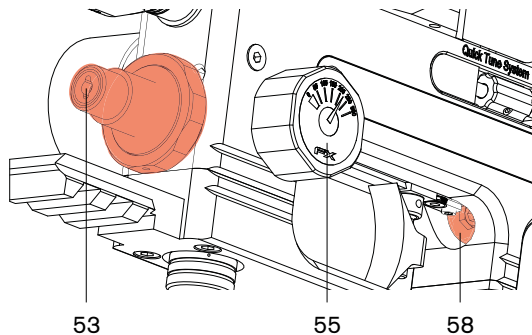
2,5mm hex key, preferable with ball end. If you do not have access to a hex key with ball end you can make the adjustment more accessible by removing trigger guard, see section 8.2.

Normally you will want the regulator set at the lowest possible pressure for the velocity you aim for.

#### Default regulator setting for pellets, full power (second regulator)

Caliber	Pressure in bar
.177	85-90
.22	70-75
.25	90-95
.30	100-105
.35	130-135

**Note** This chart might change as we constantly develop and strive for best possible accuracy. If you do not get satisfying accuracy, check our website for updates or contact the dealer.



#### To increase regulator pressure

Make sure you have full pressure (200+bar) in the tank before starting this adjustment.

First note regulator pressure of first regulator (55) and keep this in mind.

Gently adjust the second regulator (58) counter-clockwise a quarter of a turn and check the pressure on gauge (26) Repeat until the wanted pressure has been reached but do not exceed the pressure of the first regulator.

We strongly recommend that you do not alter the pressure of the first regulator but if it does need to be adjusted, follow the instruction as follows.

Remove the bottle, see section 9.4.

Gently adjust first regulator (53) counter-clockwise a quarter of a turn re-attach the bottle and check the pressure on gauge (55). Repeat this process until the wanted pressure has been reached.

#### To decrease regulator pressure

Gently adjust the second regulator(58) clockwise a quarter of a turn, fire off one empty shot in a safe direction Repeat this process until the wanted pressure has been reached.

**NOTICE** – Make sure your rifle is not loaded before dry firing

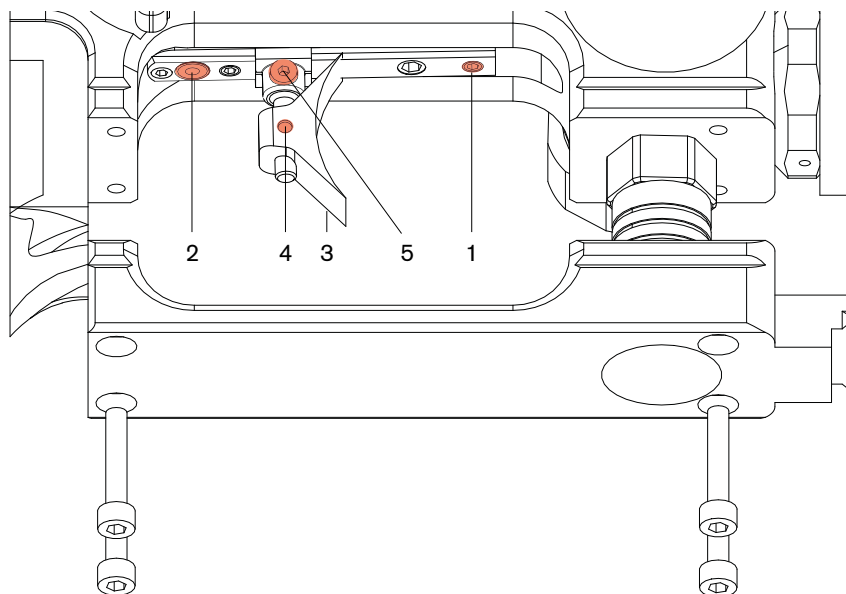
We strongly recommend that you do not alter the pressure of the first regulator but if it need to be done the instruction is as follows.

Remove the bottle, see section 9.4.

Gently adjust first regulator (53) clockwise a quarter of a turn re-attach the bottle and check the pressure on gauge (55). Repeat this process until the wanted pressure has been reached.

**NOTICE**– NEVER adjust the regulator above 170bar as damage to the system may occur and will void your warranty!

**NOTICE** – NEVER use the gun below the set regulator pressure as damage to the system may occur and will void your warranty!



## 8.2 Trigger (57)

### Trigger position

Trigger blade (3) can be adjusted in reach, height and rotated to set the blade in an angle.

Loosen screw (4) to adjust height or angle, tighten when you are satisfied.

Loosen screw (5) to adjust trigger reach (trigger to grip distance).

For liability reasons, we cannot give instructions on trigger weight or travel adjustments.

Following information is a reference showing adjustment screws and what aspect of the trigger they adjust.

The 2nd stage Adjustment (2) is the second stage tension adjuster.

The 1st stage Length Adjustment (1) controls the travel/1st stage length of pull.

**WARNING** – Adjustment to the 1st or 2nd stage might cause safety malfunction.

Adjustments to 1st or 2nd stage might void your warranty.

Adjustments to one screw may impact the function or other aspects of the trigger-function.

Proper tuning requires the know how of what one adjustment does in relation to another and should be performed by a trained specialist.

Always make adjustment with unloaded rifle and empty barrel.

Always point the rifle in a safe direction while adjusting the trigger.

Never rely on the trigger or safety when pointing your rifle at any target.

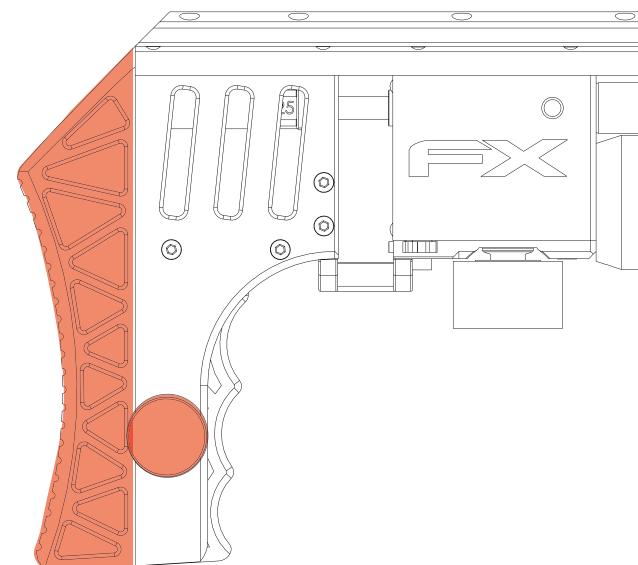
To ensure safety and reliability make sure you test thoroughly before you use the rifle.

**NOTICE** – All adjustments work in relationship with one another.

In order to get full access to the trigger you can remove the trigger guard (99)

## 8.3 Recoil-pad (21)

You can adjust the recoil-pad in height, loosen the locking screw (22) to move the recoil-pad up and down. Once positioned where you want it, tighten the locking screw.



### 9.3 Sidelever (6)

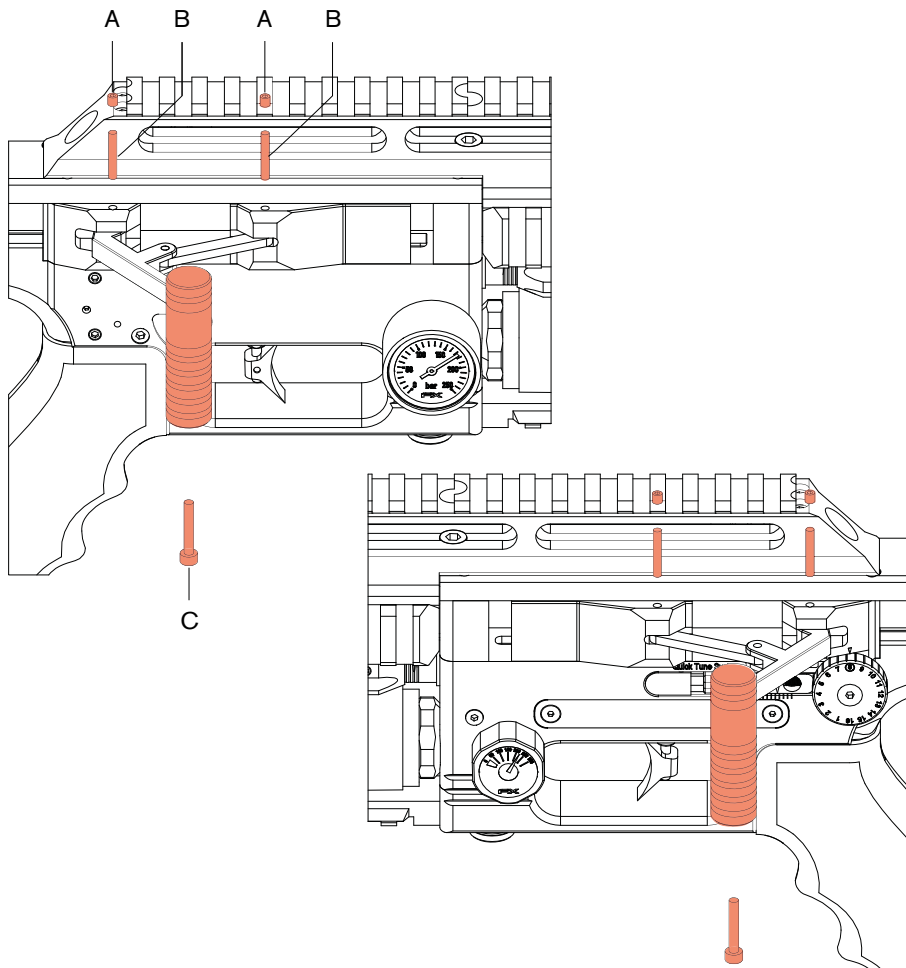
The M3 version is equipped with an ambidextrous sidelever mount (4 and 44).

It comes delivered mounted on the right side (4) but can easily be repositioned on the left side (44) for left hand shooters.

Remove locking screws A and push pins B through the mounts from the downside and up.

Remove locking screw C and remove side lever handle.

Relocate parts on the left-hand side.



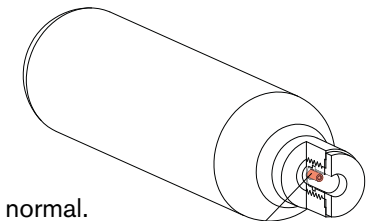
### 9.4 Pressure tank (51)

The bottle is equipped with its own valve so it is safe to unscrew it from the system.

It will still hold air, when you unscrew it there will be a minor escape of air and this is perfectly normal.

The regulators will hold air even if you unscrew the bottle.

**WARNING** Do not replace with another bottle without making sure that the new bottle has Valve Pin Bushing (52) mounted. This might be moved from the original bottle or bought separately. Valve can not open without this bush.



52